

# U shape photoelectric sensor PU05M series



## Feature description

- The power supply voltage is 5...24VDC, and the voltage range is wide
- A variety of shapes, rich product categories
- The product has two modes: L/ON and D/ON
- Use flexible wire with good flexibility



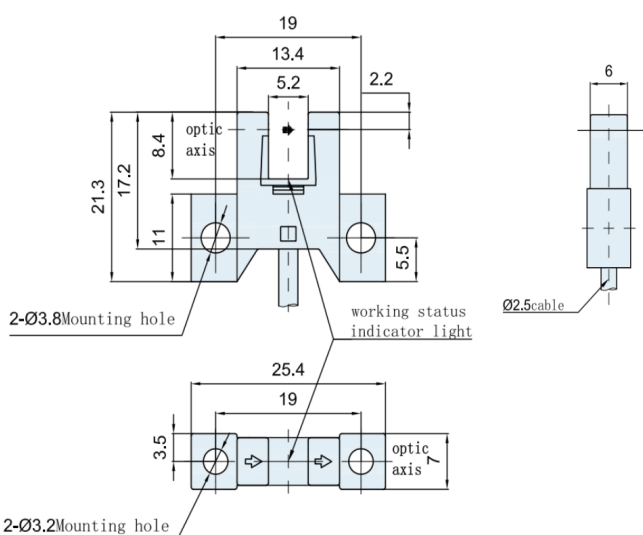
## Model specification

NPN	PU05M-TGNR-K	PNP	PU05M-TGPR-K
-----	--------------	-----	--------------

## Specifications

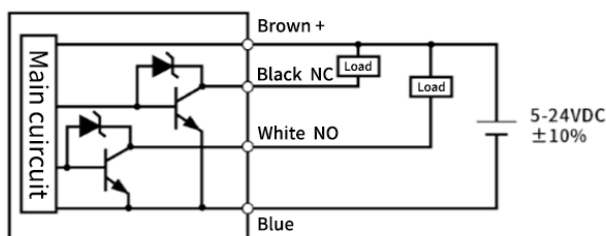
Detection method	Through beam	Switching frequency	≥1KHZ (The maximum value is 3KHZ)
Rated distance Sn	5mm	Circuit protection	Short circuit protection (Power polarity protection)
Minimum target	> 1.2*0.8mm	Anti ambient light	Fluorescent lamp≤1,000lux
Light source	Infrared LED (940nm)	Output indication	Yellow: output indication
Hysteresis	< 0.06mm	Ambient temperature	-25°C...55°C(Optical surface no icing,nocondensation)
Output type	NPN/PNP (Depends on part number)	Environment humidity	5...85%RH(Optical surface no icing,nocondensation)
Output state	NO, NC The two logics are selected according to the connection mode	Vibration resistant	10...2000Hz, Dual amplitude1.5mm, 2hrs each for X,Y,Z direction
Supply voltage	5...24 VDC (Ripple p-p: < 10%)	Protection degree	IP65
Load current	≤50mA	Housing material	PP
Residual voltage	≤1V (When the load current is 50mA)	Connection	1m Cable
Consumption current	≤15mA		

## Dimensions

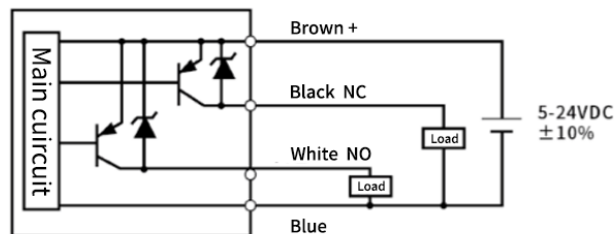


## Wiring diagram

### NPN



### PNP



# U shape photoelectric sensor PU05M series



## Feature description

- The power supply voltage is 5...24VDC, and the voltage range is wide
- A variety of shapes, rich product categories
- The product has two modes: L/ON and D/ON
- Use flexible wire with good flexibility



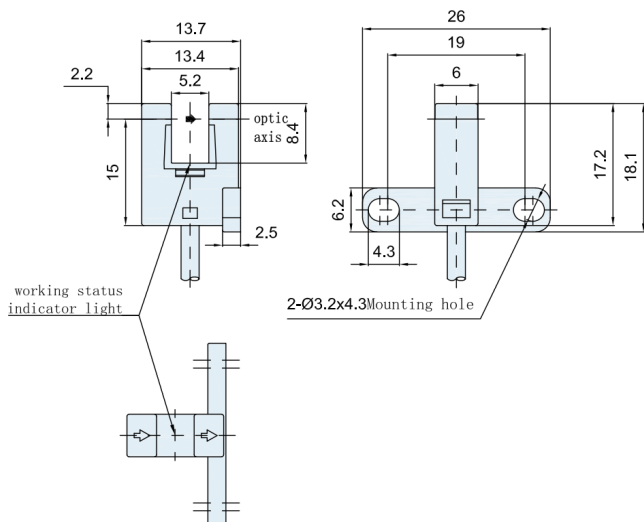
## Model specification

NPN	PU05M-TGNR-T	PNP	PU05M-TGPR-T
-----	--------------	-----	--------------

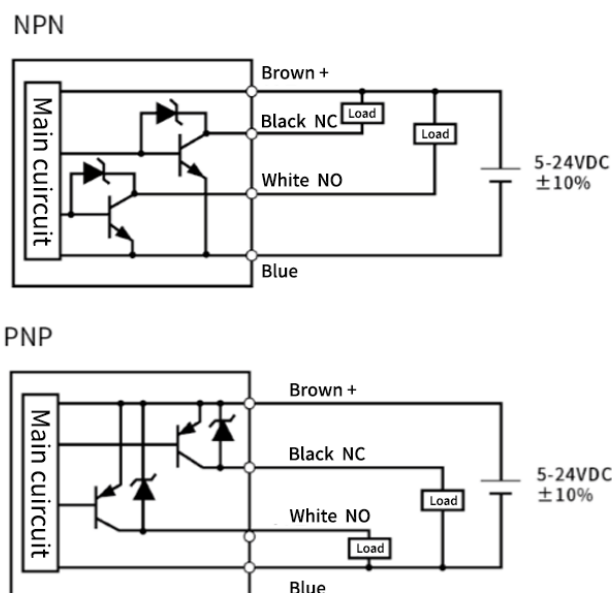
## Specifications

Detection method	Through beam	Switching frequency	≥1KHZ (The maximum value is 3KHZ)
Rated distance Sn	5mm	Circuit protection	Short circuit protection (Power polarity protection)
Minimum target	> 1.2*0.8mm	Anti ambient light	Fluorescent lamp≤1,000lux
Light source	Infrared LED (940nm)	Output indication	Yellow: output indication
Hysteresis	< 0.06mm	Ambient temperature	-25°C...55°C(Optical surface no icing,nocondensation)
Output type	NPN/PNP (Depends on part number)	Environment humidity	5...85%RH(Optical surface no icing,nocondensation)
Output state	NO, NC The two logics are selected according to the connection mode	Vibration resistant	10...2000Hz, Dual amplitude1.5mm, 2hrs each for X,Y,Z direction
Supply voltage	5...24 VDC (Ripple p-p: < 10%)	Protection degree	IP65
Load current	≤50mA	Housing material	PP
Residual voltage	≤1V (When the load current is 50mA)	Connection	1m Cable
Consumption current	≤15mA		

## Dimensions



## Wiring diagram



# U shape photoelectric sensor PU05M series



## Feature description

- The power supply voltage is 5...24VDC, and the voltage range is wide
- A variety of shapes, rich product categories
- The product has two modes: L/ON and D/ON
- Use flexible wire with good flexibility



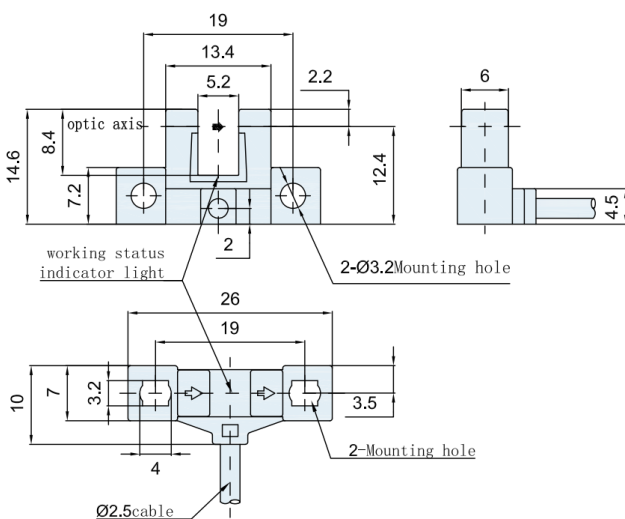
## Model specification

NPN	PU05M-TGNR-L	PNP	PU05M-TGPR-L
-----	--------------	-----	--------------

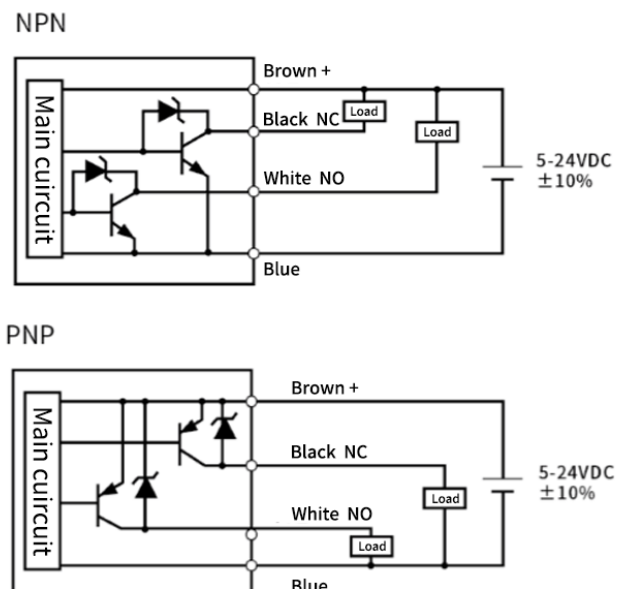
## Specifications

Detection method	Through beam	Switching frequency	≥1KHZ (The maximum value is 3KHZ)
Rated distance Sn	5mm	Circuit protection	Short circuit protection (Power polarity protection)
Minimum target	> 1.2*0.8mm	Anti ambient light	Fluorescent lamp ≤1,000lux
Light source	Infrared LED (940nm)	Output indication	Yellow: output indication
Hysteresis	< 0.06mm	Ambient temperature	-25°C...55°C(Optical surface no icing,nocondensation)
Output type	NPN/PNP (Depends on part number)	Environment humidity	5...85%RH(Optical surface no icing,nocondensation)
Output state	NO, NC The two logics are selected according to the connection mode	Vibration resistant	10...2000Hz, Dual amplitude1.5mm, 2hrs each for X,Y,Z direction
Supply voltage	5...24 VDC (Ripple p-p: < 10%)	Protection degree	IP65
Load current	≤50mA	Housing material	PP
Residual voltage	≤1V (When the load current is 50mA)	Connection	1m Cable
Consumption current	≤15mA		

## Dimensions



## Wiring diagram



# U shape photoelectric sensor PU05M series



## Feature description

- The power supply voltage is 5...24VDC, and the voltage range is wide
- A variety of shapes, rich product categories
- The product has two modes: L/ON and D/ON
- Use flexible wire with good flexibility



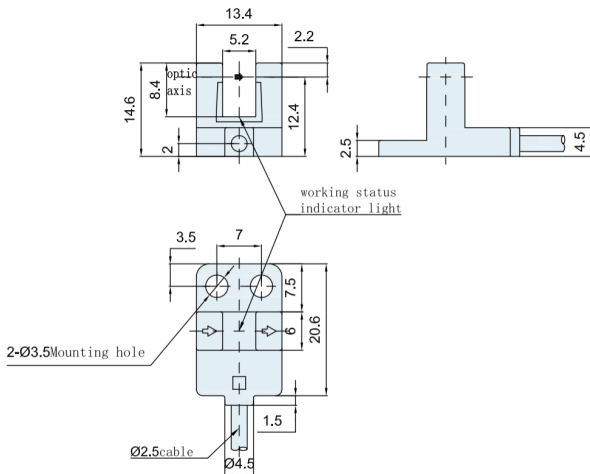
## Model specification

NPN	PU05M-TGMR-Y	PNP	PU05M-TGPR-Y
-----	--------------	-----	--------------

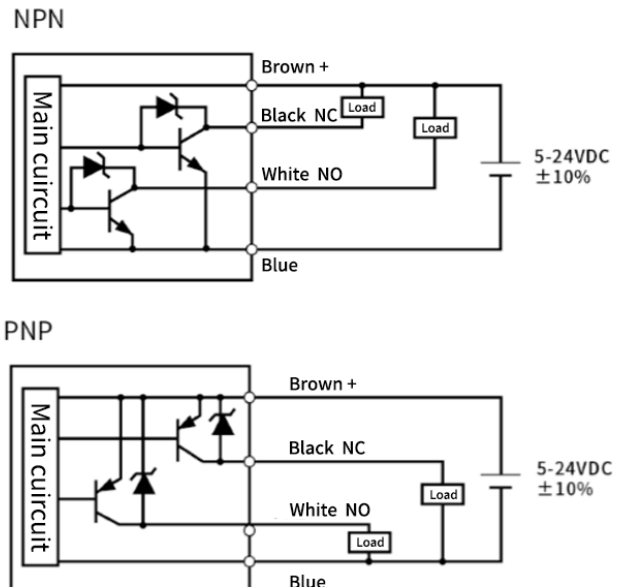
## Specifications

Detection method	Through beam	Switching frequency	≥1KHZ (The maximum value is 3KHZ)
Rated distance Sn	5mm	Circuit protection	Short circuit protection (Power polarity protection)
Minimum target	> 1.2*0.8mm	Anti ambient light	Fluorescent lamp≤1,000lux
Light source	Infrared LED (940nm)	Output indication	Yellow: output indication
Hysteresis	< 0.06mm	Ambient temperature	-25°C...55°C(Optical surface no icing,nocondensation)
Output type	NPN/PNP (Depends on part number)	Environment humidity	5...85%RH(Optical surface no icing,nocondensation)
Output state	NO, NC The two logics are selected according to the connection mode	Vibration resistant	10...2000Hz, Dual amplitude1.5mm, 2hrs each for X,Y,Z direction
Supply voltage	5...24 VDC (Ripple p-p: < 10%)	Protection degree	IP65
Load current	≤50mA	Housing material	PP
Residual voltage	≤1V (When the load current is 50mA)	Connection	1m Cable
Consumption current	≤15mA		

## Dimensions



## Wiring diagram



# U shape photoelectric sensor PU05M series



## Feature description

- The power supply voltage is 5...24VDC, and the voltage range is wide
- A variety of shapes, rich product categories
- The product has two modes: L/ON and D/ON
- Use flexible wire with good flexibility



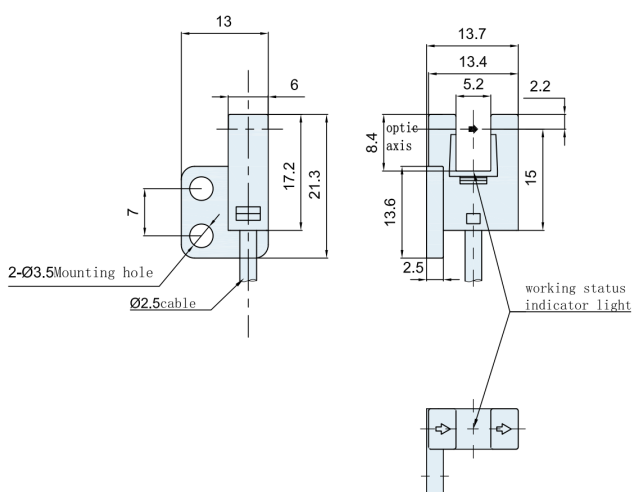
## Model specification

NPN	PU05M-TGNR-F	PNP	PU05M-TGPR-F
-----	--------------	-----	--------------

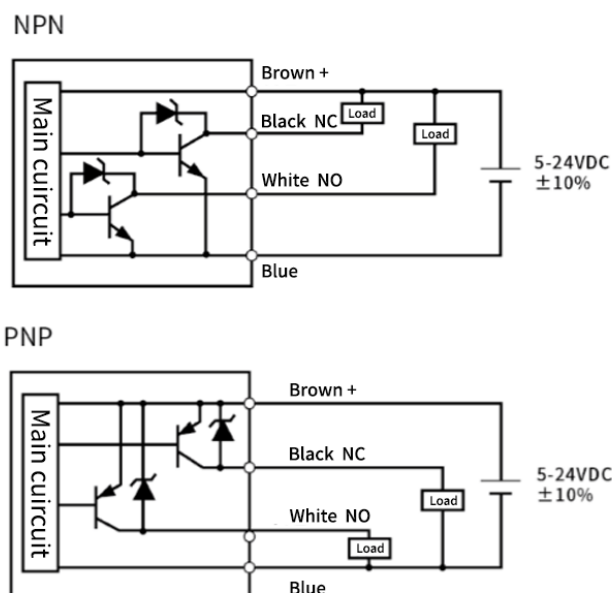
## Specifications

Detection method	Through beam	Switching frequency	≥1KHZ (The maximum value is 3KHZ)
Rated distance Sn	5mm	Circuit protection	Short circuit protection (Power polarity protection)
Minimum target	> 1.2*0.8mm	Anti ambient light	Fluorescent lamp≤1,000lux
Light source	Infrared LED (940nm)	Output indication	Yellow: output indication
Hysteresis	< 0.06mm	Ambient temperature	-25°C...55°C(Optical surface no icing,nocondensation)
Output type	NPN/PNP (Depends on part number)	Environment humidity	5...85%RH(Optical surface no icing,nocondensation)
Output state	NO, NC The two logics are selected according to the connection mode	Vibration resistant	10...2000Hz, Dual amplitude1.5mm, 2hrs each for X,Y,Z direction
Supply voltage	5...24 VDC (Ripple p-p: < 10%)	Protection degree	IP65
Load current	≤50mA	Housing material	PP
Residual voltage	≤1V (When the load current is 50mA)	Connection	1m Cable
Consumption current	≤15mA		

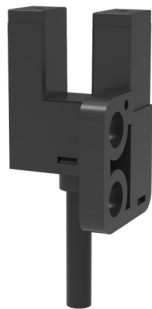
## Dimensions



## Wiring diagram



# U shape photoelectric sensor PU05M series



## Feature description

- The power supply voltage is 5...24VDC, and the voltage range is wide
- A variety of shapes, rich product categories
- The product has two modes: L/ON and D/ON
- Use flexible wire with good flexibility



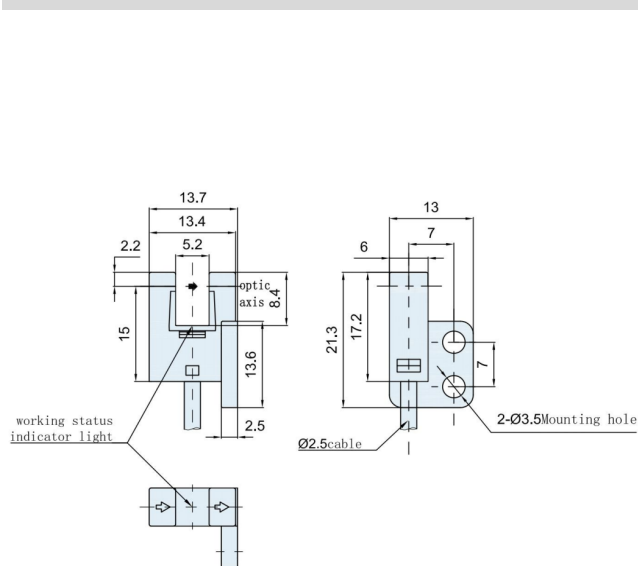
## Model specification

NPN	PU05M-TGNR-R	PNP	PU05M-TGPR-R
-----	--------------	-----	--------------

## Specifications

Detection method	Through beam	Switching frequency	≥1KHZ (The maximum value is 3KHZ)
Rated distance Sn	5mm	Circuit protection	Short circuit protection (Power polarity protection)
Minimum target	> 1.2*0.8mm	Anti ambient light	Fluorescent lamp≤1,000lux
Light source	Infrared LED (940nm)	Output indication	Yellow: output indication
Hysteresis	< 0.06mm	Ambient temperature	-25°C...55°C(Optical surface no icing,nocondensation)
Output type	NPN/PNP (Depends on part number)	Environment humidity	5...85%RH(Optical surface no icing,nocondensation)
Output state	NO, NC The two logics are selected according to the connection mode	Vibration resistant	10...2000Hz, Dual amplitude1.5mm, 2hrs each for X,Y,Z direction
Supply voltage	5...24 VDC (Ripple p-p: < 10%)	Protection degree	IP65
Load current	≤50mA	Housing material	PP
Residual voltage	≤1V (When the load current is 50mA)	Connection	1m Cable
Consumption current	≤15mA		

## Dimensions



## Wiring diagram

