

**ebm-papst Mulfingen GmbH & Co. KG**

Bachmühle 2

74673 Mulfingen

Phone: +49 7938 81-0

Fax: +49 7938 81-110

www.ebmpapst.com

info1@de.ebmpapst.com

Nominal data

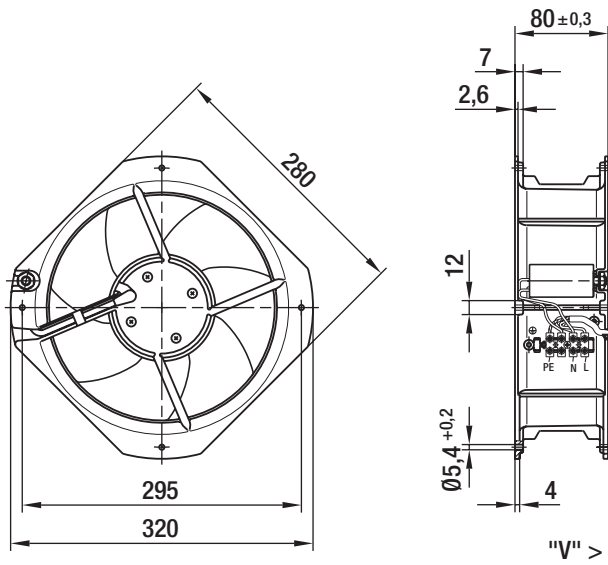
Type	W2E250-HL06-01		
Motor	M2E068-CF		
Phase		1~	1~
Nominal voltage	[V]	230	230
Frequency	[Hz]	50	60
Type of data definition		rfa	rfa
Valid for approval / standard		CE	CE
Speed	[min ⁻¹]	2550	2700
Power input	[W]	127	180
Current draw	[A]	0.56	0.79
Motor capacitor	[μF]	4	4
Capacitor voltage	[VDB]	400	400
Max. back pressure	[Pa]	100	100
Max. ambient temperature	[°C]	60	45
Air flow	[m ³ /h]	1865	1970
Back pressure	[Pa]	0	0
Sound pressure level	[dB(A)]	69	70

ml = max. load · me = max. efficiency · rfa = running at free air · cs = customer specs · cu = customer unit
Subject to alterations

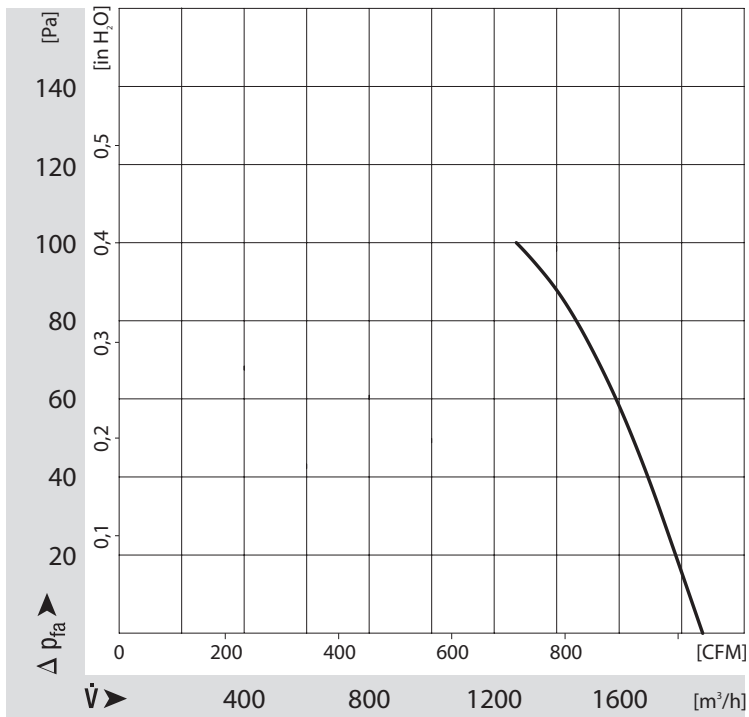
Technical features

Leakage current	< 0,75 mA
Dimensions	250 mm
Size	250 mm
Operation mode	Continuous operation (S1)
Electrical leads	Via terminal strips, integrated capacitor connected via terminal strips
Direction of air flow	"V"
Insulation class	"F"
Cable exit	Variable
Motor capacitor	P0; UL
Bearing-motor	Ball bearing
Mass	2.0 kg
Housing material	Die-cast aluminum
Material of impeller	Sheet steel, coated in black
Motor protection	Thermal overload protector (TOP) wired internally
Product conforming to standard	CE
Type of protection	IP 44
Protection class	I
Approval	CCC; CSA C22.2 Nr.100; GOST; UL 1004

Product drawing



Charts: Air flow 50 Hz



Charts: Air flow 60 Hz

