

Article: **FD 502**  
 Description: Position switch with one-way roller

 Sheet: 32049-0-en-2.1.0  
 Date: 03/01/2023  
 Page: 1/3

**Housing:**

Metal housing, one threaded PG 13,5 conduit entry (FD series)

Protection degree: IP67 acc. to EN 60529 with cable gland presenting same or higher protection degree

**General data:**

Ambient temperature: -25°C ... +80°C

Max. actuation frequency: 3600 operating cycles/hour

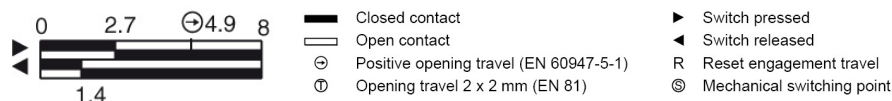
Mechanical endurance: 20 million operating cycles

Safety parameter B10D: 40,000,000 for NC contacts

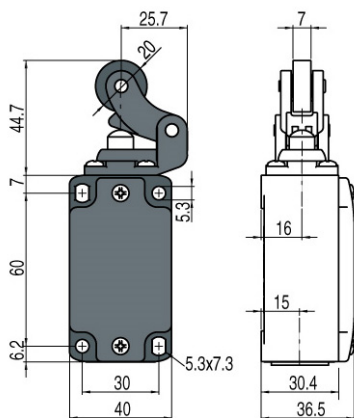
Mechanical interlock, not coded: type 1 acc. to EN ISO 14119

**Contact block characteristics:**

| Contact block | Contact diagram | Contact design | Operation type | Positive opening | Contact type                     | Wire cross-section min.               | Wire cross-section max.               | Wire stripping length | Captive screws | Terminals with finger protection |
|---------------|-----------------|----------------|----------------|------------------|----------------------------------|---------------------------------------|---------------------------------------|-----------------------|----------------|----------------------------------|
| 5             | 1NO+1NC         | Zb             | snap action    | yes              | Double interruption, twin bridge | 1 x 0.5 mm <sup>2</sup><br>1 x AWG 20 | 2 x 2.5 mm <sup>2</sup><br>2 x AWG 14 | 8 mm                  | yes            | yes                              |

**Contact block travel diagrams:**

**Positive switch opening:**

Device with positive opening conforming to IEC 60947-5-1.


**Device screw tightening torques:**

Cover screws: 0,8 ... 1,2 Nm

Head screws: 0,8 ... 1,2 Nm

Lever screws: 0,8 ... 1,2 Nm

Contact blocks screws: 0,6 ... 0,8 Nm

M5 fixing screws, body: 2 ... 3 Nm

Protection caps:

1,2 ... 1,6 Nm (M20/PG13,5)

1 ... 1,4 Nm (M16/PG11)

**Activating forces:**

Min.: 6 N

Positive opening: 25 N

**In conformity with standards:**

IEC 60947-5-1, EN 60947-5-1, EN 60947-1, EN 50041, IEC 60204-1, EN 60204-1, EN ISO 14119, EN ISO 12100, IEC 60529, EN 60529, EN 50581, UL 508, CSA 22.2 No. 14.

**Approvals:**

IEC 60947-5-1, UL 508, CSA 22.2 No. 14, GB/T14048.5-2017.

**In conformity with requirements requested by:**

Low Voltage Directive 2014/35/EU, EMC Directive 2014/30/EU, RoHS Directive 2011/65/EU.

**Markings and quality marks:**

**Electrical data:**

 Thermal current (I<sub>th</sub>): 10 A

 Rated insulation voltage (U<sub>i</sub>): 500 Vac 600 Vdc

 Rated impulse withstand voltage (U<sub>imp</sub>): 6 kV

Conditional short circuit current: 1000 A according to EN 60947-5-1

Protection against short circuits: fuse 10 A 500 V type aM

Pollution degree: 3

**Utilization categories:**

Alternate current: AC15 (50...60 Hz)

 U<sub>e</sub> (V) 250 400 500
 I<sub>e</sub> (A) 6 4 1

Direct current: DC13

 U<sub>e</sub> (V) 24 125 250
 I<sub>e</sub> (A) 3 0.55 0.3

Article: **FD 502**  
Description: Position switch with one-way roller

Sheet: 32049-0-en-2.1.0  
Date: 03/01/2023  
Page: 2/3

### Features approved by IMQ

Rated insulation voltage (Ui): 500 Vac / 400 Vac (for contact blocks 2, 11, 12, 20, 21, 22, 33, 34)  
Conventional free air thermal current (Ith): 10 A  
Protection against short circuits: type aM fuse 10 A 500 V  
Rated impulse withstand voltage (Uimp): 6 kV / 4 kV (for contact blocks 20, 21, 22, 33, 34)  
Protection degree of the housing: IP67  
MV terminals (screw terminals)  
Pollution degree: 3  
Utilization category: AC15  
Operating voltage (Ue): 400 Vac (50 Hz)  
Operating current (Ie): 3 A  
Forms of the contact element: Za, Zb, Za+Za, Y+Y, X+X, Y+Y+X, Y+Y+Y, Y+X+X  
Positive opening of contacts on contact block 5, 6, 7, 9, 11, 13, 14, 16, 18, 20, 21, 22, 33, 34, 66  
In compliance with standards: EN 60947-1, EN 60947-5-1, fundamental requirements of the Low Voltage Directive 2014/35/EU.

### Features approved by UL

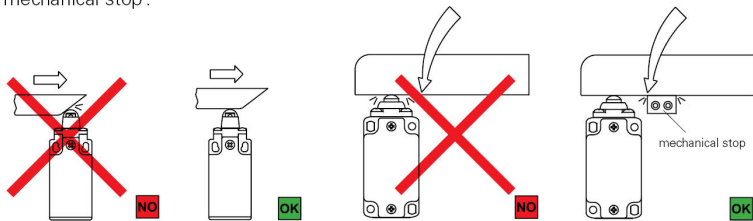
Electrical Ratings:  
Q300 pilot duty (69 VA, 125-250 V dc)  
A600 pilot duty (720 VA, 120-600 V ac)  
Environmental Ratings: Types 1, 4X, 12, 13

For all contact blocks except 2 and 3 use 60 or 75°C copper (Cu) conductors, rigid or flexible, wire size 12, 14 AWG. Tightening torque for terminal screws of 7.1 lb in (0.8 Nm).

For contact blocks 2 and 3 use 60 or 75°C copper (Cu) conductors, rigid or flexible, wire size 14 AWG. Tightening torque for Terminal screws of 12 lb in (1.4 Nm).

### Mechanical stop

Acc. to EN ISO 14119 paragraph 5.2 "the position sensors must not be used as mechanical stop".

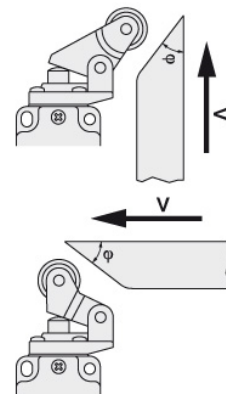


The actuator must not exceed the max. travel as indicated in the travel diagrams.

The guard must not use the switch head as a mechanical stop.

### Actuation speed



| $\phi$ | Vmax (m/s) | Vmin (mm/s)<br>L | Vmin (mm/s)<br>R |
|--------|------------|------------------|------------------|
| 15°    | 1          | 5                | 0,05             |
| 30°    | 0,5        | 2,5              | 0,025            |
| 45°    | 0,3        | 1,5              | 0,015            |



### Actuation modality

| Recommended application | Application to avoid   | Forbidden application |
|-------------------------|--|-----------------------|
|                         | Possible application but with mechanical stress for the switch higher than expected, mechanical endurance is not guaranteed.<br> |                       |

### Installation of single switches with safety functions

- Use **only** switches with the symbol .
- Connect the safety circuit to **the NC normally closed contacts (11-12, 21-22 or 31-32)**.
- **The NO normally open contacts (13-14, 23-24, 33-34) should be used only for signalling**; these contacts are not to be connected with the safety circuit. However, if two or more switches are used on the same guard, a connection can be established between the NO contacts and the safety circuit.  
 In this case at least one of the two switches must have positive opening and a normally closed contact NC (11-12, 21-22 or 31-32) must be connected to the safety circuit.
- Actuate the switch **at least up to the positive opening travel** shown in the travel diagrams with symbol .
- The actuation system must be able to exert a force that is greater than the **positive opening force**, as specified in brackets below each article, next to the minimum force value.
- The device must be affixed in compliance with EN ISO 14119.

Whenever the machine guard is opened and during the whole opening travel, **the switch must be pressed directly** (fig. 1) **or through a rigid connection** (fig. 2).

Only in this way the positive opening of the normally closed NC contacts (11-12, 21-22, 31-32) is guaranteed.



Fig.1



Fig.2

In safety applications with only one switch for each guard, the switches **must never be activated by a release** (fig. 3 and 4) **or through a non rigid connection** (i.e. by a spring).



Fig.3

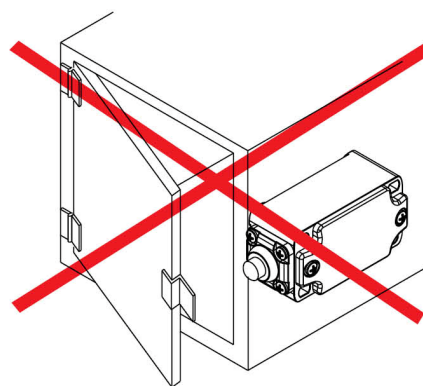


Fig.4