

Optical fiber PFR series



Features

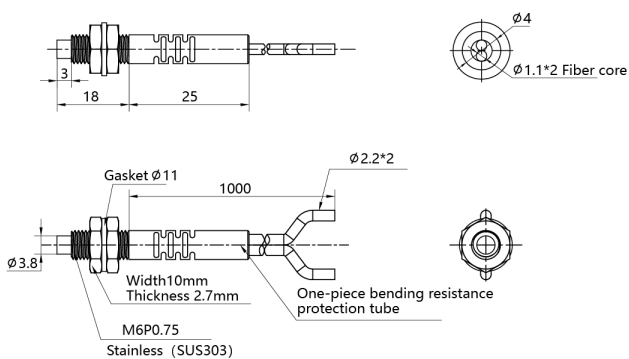
- Standard thread shape for easy installation
- Fiber optic head made of stainless steel, high durability
- Suitable for installation in small spaces with high detection accuracy



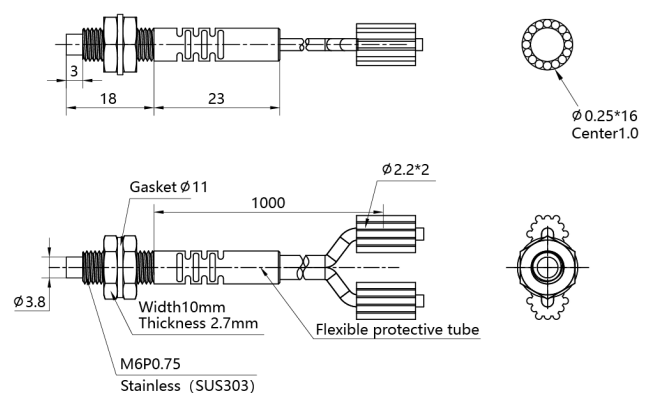
Diffuse reflection

Model	Size	Appearance	Minimum bending radius	Detection distance(mm)	Smallest detectable(mm)
PFR-620	M6		R25	100	φ0.2
PFR-610	M6		R25	100	φ0.2
PFRC-610	M6		R25	90	φ0.1
PFRD-410	M4		R15	60	φ0.1
PFRC-410	M4		R15	40	φ0.1
PFRD-310	M3		R15	40	φ0.1
PFRC-310	M3		R15	40	φ0.05
PFRD-320	M3		R10	36	φ0.1

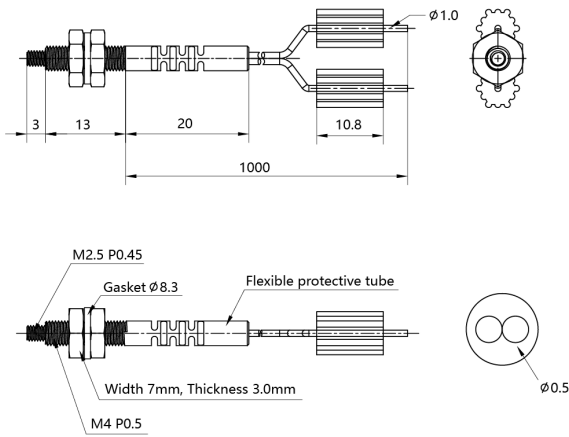
Dimensions:PFR-610



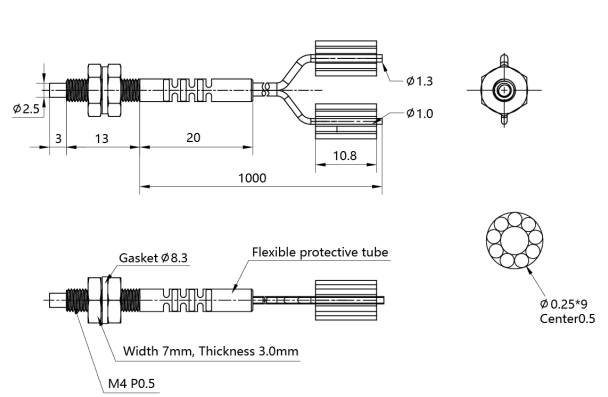
Dimensions:PFRC-610



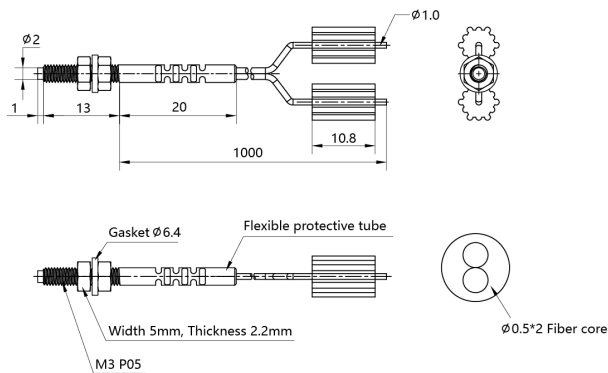
Dimensions: PFRD-410



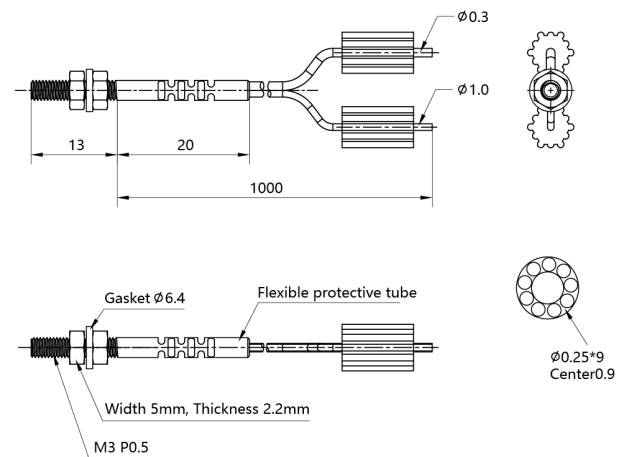
Dimensions: PFRC-410



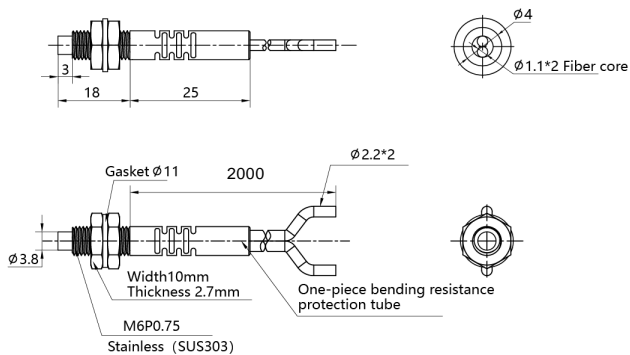
Dimensions: PFRD-310



Dimensions: PFRC-310



Dimensions: PFR-620



Dimensions: PFRD-320

