

Hall sensor FN08 series



Feature description

- The detection distance is determined by the magnetic strength of the target
- Long life and high reliability
- Yellow LED display can check the status of the sensor
- Economical and simple operation
- Protection class IP67 (IEC)



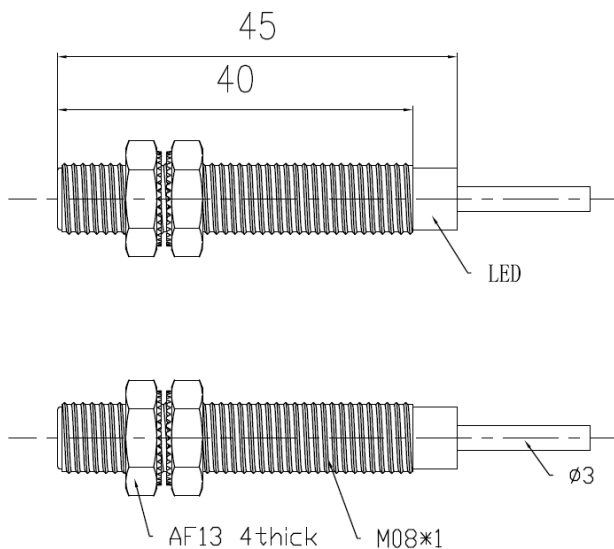
Model specification

| | | | |
|--------|---------|--------|---------|
| NPN NO | FN08DNO | PNP NO | FN08DPO |
| NPN NC | FN08DNC | PNP NC | FN08DPC |

Specifications

| | | | |
|---------------------|--|-----------------------|--|
| Detection distance | 8mm | Consumption current | ≤15mA |
| Installation type | Flush | Ambient temperature | -25...70°C |
| Supply voltage | 10...30 VDC | Environment humidity | 35...95RH% |
| Switch point offset | ≤±10% | Switching frequency | 200Hz |
| Hysteresis range | 3...20% | Withstand voltage | 1000/AC 50/60Hz 60s |
| Repetitive error | ≤3% | Insulation resistance | ≥50MΩ (500VDC) |
| Load current | ≤200mA | Vibration resistant | Complex amplitude 1.5mm 10...50Hz |
| Residual voltage | ≤2.5VDC | | (2 hours each in X, Y, and Z directions) |
| Circuit protection | surge protection, Short circuit protection, overload protection, | Protection degree | IP67 |
| | reverse polarity protection | Dimension | M8*1*40 |
| Indicator | Yellow LED | Housing material | Stainless steel |
| | | Connection type | 2m PVC cable |

Dimension



Wiring diagram

