

Plastic square shape inductive sensors **LE40XZ** series


Features

- ◆ Extended sensing distance;
- ◆ ASIC design, safe and reliable;
- ◆ Perfect choice for metallic target detection;



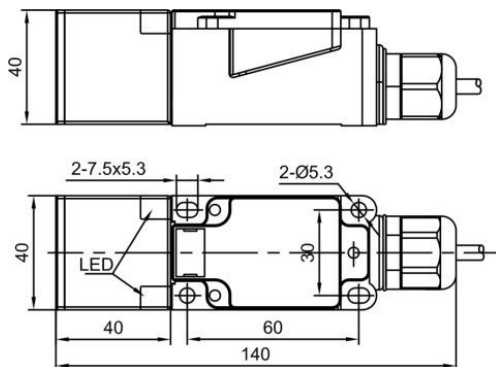
Part number

AC/DC 2wires NO	LE40XZSF25SBOY-D	LE40XZSN40SBOY-D	AC/DC 2wires NO/NC	LE40XZSF25SBBY-D	LE40XZSN40SBBY-D
AC/DC 2wires NC	LE40XZSF25SBCY-D	LE40XZSN40SBCY-D			

Technical specifications

Mounting	Quasi -flush	Non-flush	Leakage current [Ir]	AC: ≤ 3mA	DC: ≤ 1mA
Rated distance [Sn]	25mm	40mm	Circuit protection	
Assured distance [Sa]	0...20mm 0...32mm		Indicator	Yellow LED	
Dimensions	40 mm * 40 mm * 140mm		Ambient temperature	-25°C...70°C	
Output	NO/NC(depends on part number)		Ambient humidity	35-95%RH	
Supply voltage	20...250V AC/DC		Switching frequency [F]	AC: 20 Hz	DC: 100 Hz
Standard target	Fe 75*75*1t	Fe 120*120*1t	Voltage withstand	1000V/AC 50/60Hz 60S	
Switch-point drifts [%/Sr]	≤ ± 10%		Insulation resistance	≥ 50MΩ (500VDC)	
Hysteresis range [%/Sr]	1...20%		Vibration resistance	10...50Hz (1.5mm)	
Repeat accuracy [R]	≤ 3%		Degree of protection	IP67	
Load current	AC: ≤ 300mA	DC: ≤ 100mA	Housing material	PBT	
Residual voltage	AC: ≤ 10V	DC: ≤ 8V	Connection type	Terminal	

Dimensions



Wiring diagram

