

Plastic square shape inductive sensors **LE40XZ** series


## Features

- ◆ Extended sensing distance;
- ◆ ASIC design, safe and reliable;
- ◆ Perfect choice for metallic target detection;



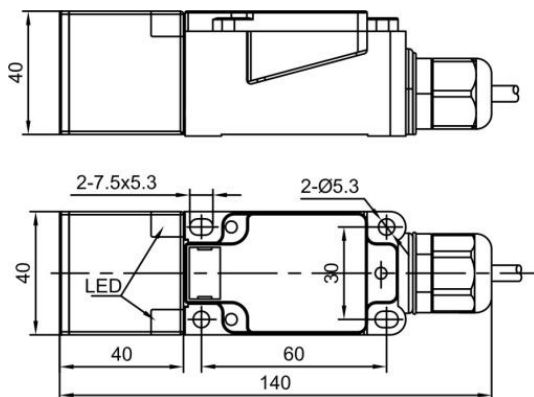
## Part number

NPN NO	LE40XZSF20DNOY-D	LE40XZSN40DNOY-D	PNP NO	LE40XZSF20DPOY-D	LE40XZSN40DPOY-D
NPN NC	LE40XZSF20DNCY-D	LE40XZSN40DNCY-D	PNP NC	LE40XZSF20DPCY-D	LE40XZSN40DPCY-D
NPN NO+NC	LE40XZSF20DNRY-D	LE40XZSN40DNRY-D	PNP NO+NC	LE40XZSF20DPRY-D	LE40XZSN40DPRY-D

## Technical specifications

Mounting	Quasi -flush	Non-flush	Current consumption	≤10mA	
Rated distance [Sn]	20mm	40mm	Circuit protection	Short-circuit, overload, and reverse polarity	
Assured distance [Sa]	0...16mm	0...32mm	Indicator	Yellow LED	
Dimensions	40mm *40mm *140mm		Ambient temperature	-25°C...70°C	
Output	NO/NC(depends on part number)		Ambient humidity	35-95%RH	
Supply voltage	10...30 VDC		Switching frequency [F]	200 Hz	100 Hz
Standard target	Fe 75*75*1t	Fe 120*120*1t	Voltage withstand	1000V/AC 50/60Hz 60S	
Switch-point drifts[%/Sr]	≤±10%		Insulation resistance	≥50MΩ (500VDC)	
Hysteresis range [%/Sr]	1...20%		Vibration resistance	10...50Hz (1.5mm)	
Repeat accuracy [R]	≤3%		Degree of protection	IP67	
Load current	≤200mA		Housing material	PBT	
Residual voltage	≤2.5V		Connection type	Terminal	

## Dimensions



## Wiring diagram

