

Digital display optical fiber sensors **FD2** series

Features

- ◆ Leading dual monitor mode;
- ◆ Build-in high-speed digital processing chip;
- ◆ Automatic and manual correction and calibration optional.



Part number

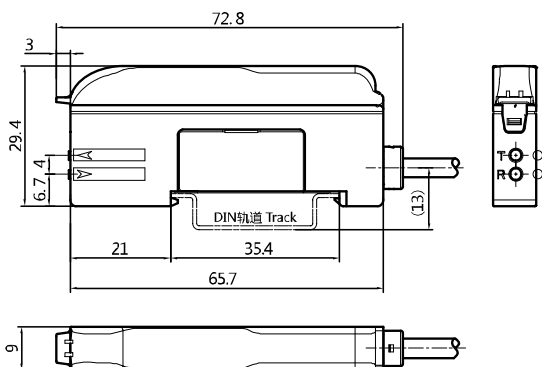
NPN NO/NC FD2-NB11R

PNP NO/NC FD2-PB11R

Technical specifications

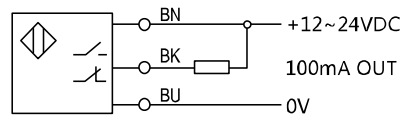
Power supply	DC 12-24V	Output indicate	4 LED digital display、LED bar display
Current consumption	<60mA	Ambient temperature	-10°C~+50°C (Does not freeze)
Voltage drop	<1V	High voltage resistance	1000V/AC 50/60Hz 60s
Load current	<100mA	Insulation resistance	≥50MΩ(500VDC)
Response time	<200us(FINE), <300us(TURBO), <550us(SUPER)	Anti-vibration	Amplitude 0.5mm, frequency 10...50Hz
Detection accuracy	>0.01mm (Depends on specific)	Anti-shock	500m/s ² (50G) for 3 times X,Y,Z direction
Light source	660nm red visible light	Protection degree	IP54
Ambient light	Incandescent lamp 3000lux、sunlight 10000lux	Housing material	PC+ABS
Circuit protection	Surge、Reverse polarity and overland protection	Connection	2m PVC cable
Function	Emitter power optional FINE/TURBO/SUPER, output time delay optional		

Dimensions

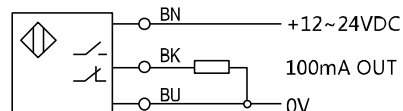


Wiring diagram

FD2-NB11R



FD2-PB11R



Fiber PFR series



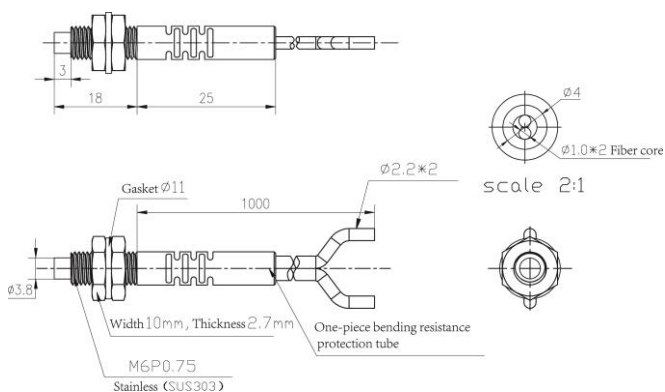
Features

- ◆ Standard threaded mounting, easy and convenient;
- ◆ Made of stainless steel, with high durability;
- ◆ Suitable for installation in narrow spaces, with high detection accuracy.

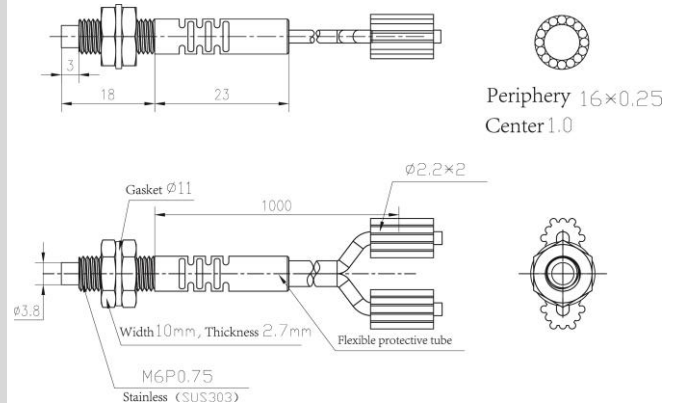
Diffuse reflection

Item code	Size	Shape	Min bending radius	Sensing distance (mm)	Min detected target (mm)
PFR-610	M6		R25	FINE:110	φ0.2
				TURBO:190	
				SUPER:290	
PFR-610	M6		R25	FINE:80	φ0.1
				TURBO:170	
				SUPER:280	
PFRD-410	M4		R15	FINE:40	φ0.1
				TURBO:90	
				SUPER:240	
PFR-410	M4		R15	FINE:40	φ0.1
				TURBO:70	
				SUPER:160	
PFRD-310	M3		R15	FINE:40	φ0.1
				TURBO:70	
				SUPER:120	
PFR-310	M3		R15	FINE:40	φ0.05
				TURBO:80	
				SUPER:120	

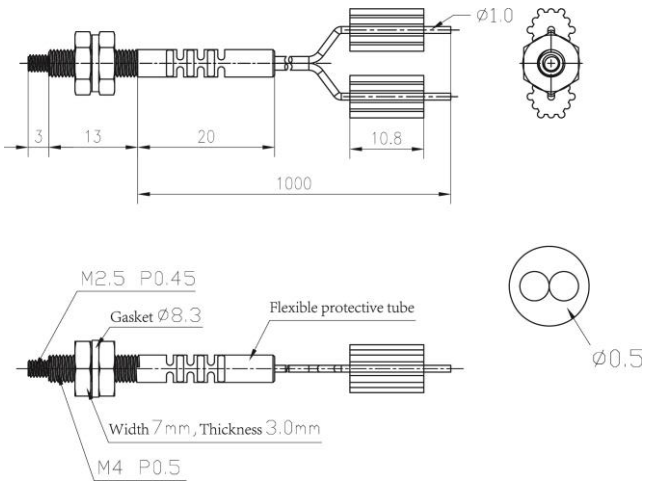
Dimension: PFR-610



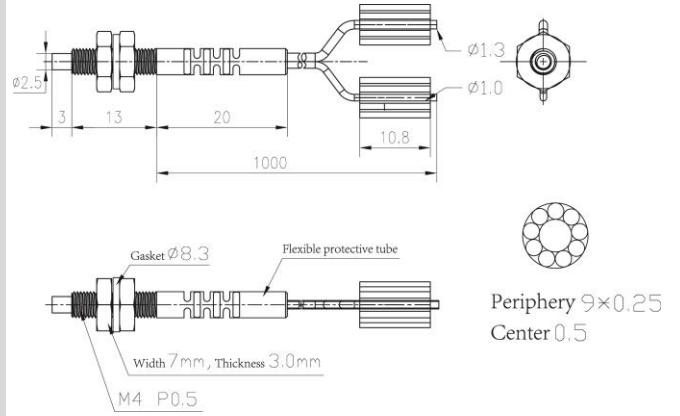
Dimension: PFR-610



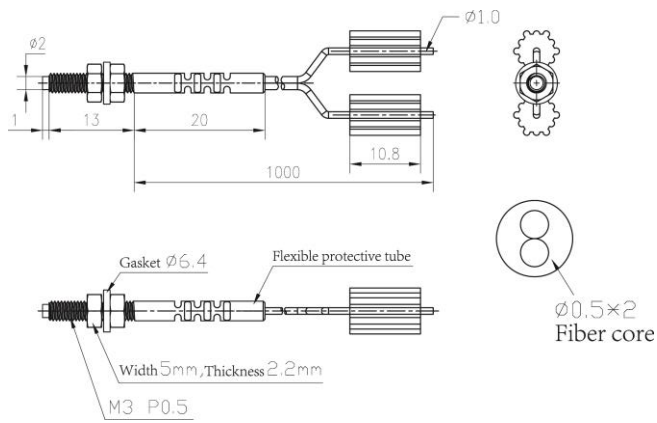
Dimension: PFRD-410



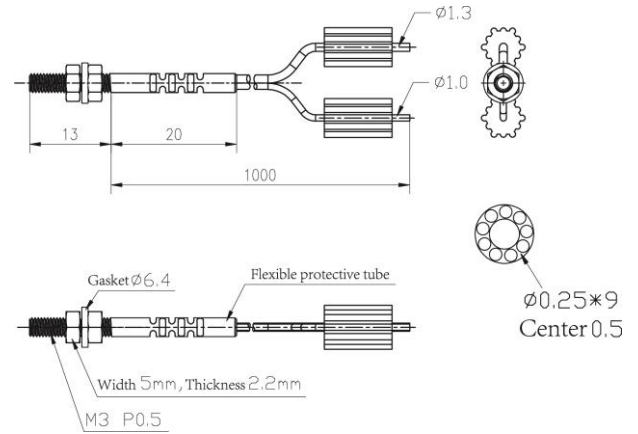
Dimension: PFRC-410



Dimension: PFRD-310



Dimension: PFRC-310



Fiber **PFT** series



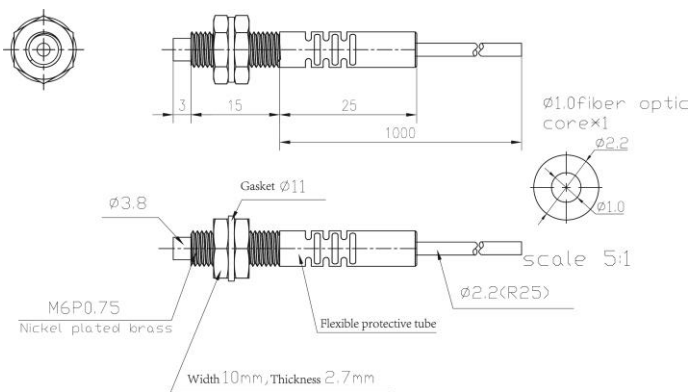
Features

- ◆ Standard threaded mounting, easy and convenient;
- ◆ Made of stainless steel, with high durability;
- ◆ Suitable for installation in narrow spaces, with high detection accuracy.

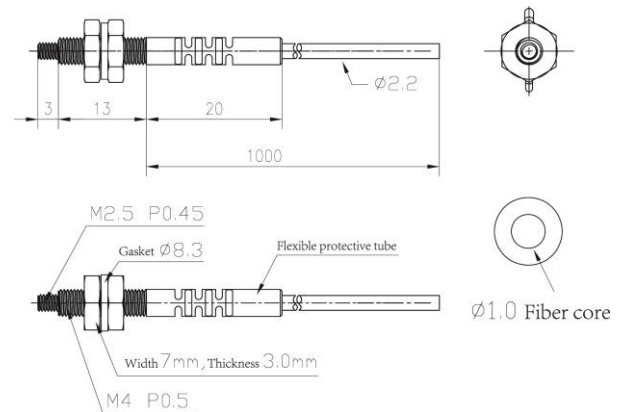
Through beam

Item code	Size	Shape	Min bending radius	Sensing distance (mm)	Min detected target (mm)
PFT-610	M6		R25	FINE:300	φ0.5
				TURBO:500	
				SUPER:800	
PFT-410	M4		R25	FINE:300	φ0.5
				TURBO:500	
				SUPER:800	
PFT-310	M3		R25	FINE:200	φ0.5
				TURBO:400	
				SUPER:700	

Dimension: PFT-610



Dimension: PFT-410



Dimension: PFT-310

